

E Bracket Installation Clutch System Roller Shades

Inside Mount

- 1 For mounting inside of a window frame, place the clutch side bracket (bracket with metal protruding tab) on cord placement side. Drive screws through the side screw holes and into the side of the frame (Fig. 7).
- 2 Repeat the process with remaining bracket (bracket that requires plastic insert).
- 3 Insert plastic insert into bracket (Fig. 8).
- 4 Insert clutch side metal protruding tab into clutch (Fig. 9).
- 5 Place round pin of roller into bracket with plastic insert (Fig. 9).

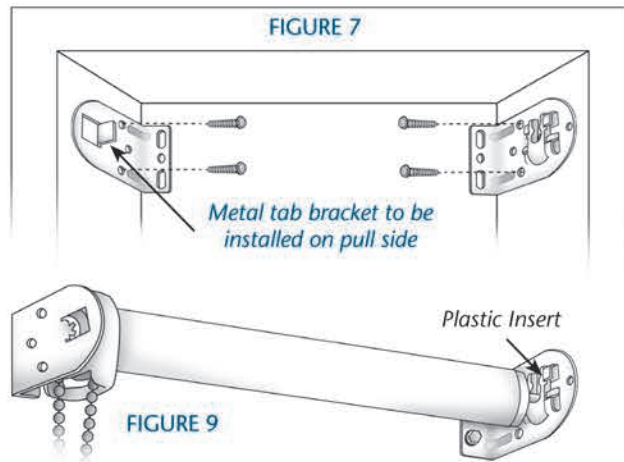
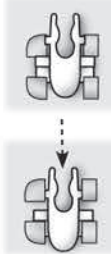


FIGURE 8



OPTION: Mounting in the ceiling or inside the window opening.

Outside Mount

- 1 For mounting on a window frame, place the clutch side bracket (bracket with metal protruding tab) on cord placement side. Drive screws through the front screw holes and into the front of the frame (Fig. 10).
- 2 Repeat the process with remaining bracket (bracket that requires plastic insert).
- 3 Follow steps 3 - 5 from Inside Mount section above.

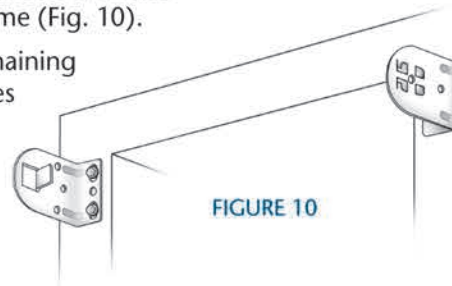


FIGURE 10

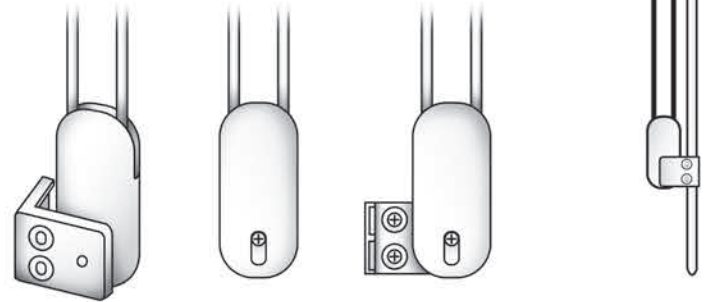
F Optional Pull Style Installation

Pull styles are not attached prior to shipping to protect the fabric from damage. The wood dowel and fabric are pre-drilled. Simply locate the drilled center point in the middle of the shade and push the screw through the fabric and tighten.

G Cord Tensioner Installation* essential for child safety

- 1 Lower the shade. Choose one of the three installation methods show to position the tension device on the window frame or the wall so that the tension device and the control cord do not interfere with shade operation.
- 2 The control cord must be taut but still operable. Do not allow for any slack. Do not twist or cross the control cord.

Installation Methods



* For more detailed installation instructions, please refer to the instructions included with your tension device.

Child Safety



At Great Windows™ child safety is first. All of our products are fitted with the highest quality components that provide the most complete safety measures in the industry. Our Spring Tension Roller Shades for example, have no cord controls that could present safety issues. Our Continuous Clutch System Roller is finished with a beaded cord that can be adjusted for height and anchored with a cord tensioner for child safety.

Cleaning and Care

In order to keep your window treatments looking new, follow the recommended methods for care and maintenance. Regular care will result in better appearance and performance from your window coverings.

Dusting	Hand-Held Vacuum	Compressed Air	Hair Dryer	Spot Cleaning	Water Immersion	Ultrasonic Cleaning
X	X	X	X	X		

GREATWINDOWS
FROM NEXT DAY BLINDS

8251 Preston Ct., Jessup, MD 20794
www.greatwindows.com

1-800-556-6632



Roller Shades

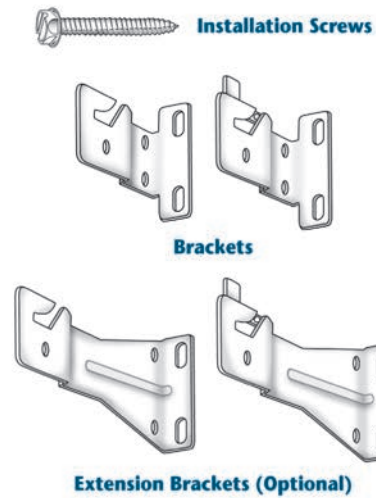
INSTALLATION INSTRUCTIONS

meticulously made
by hand in our
Great Windows factory

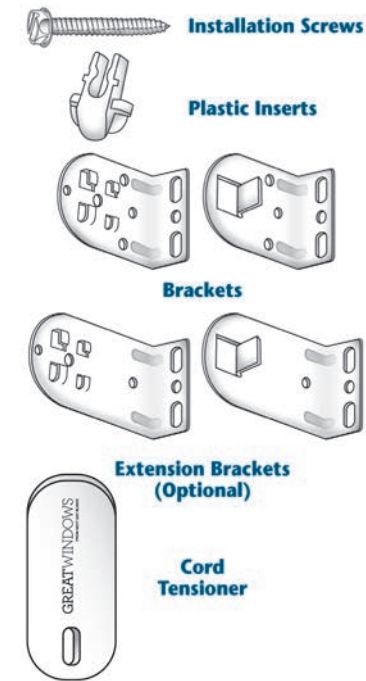
A Getting Started

The Parts: Before starting, please remove and identify the following parts required for the installation of your shades:

Spring Tension Roller Shades



Clutch System Roller Shades



B The Tools

To install your Great Windows™ Wood Blinds, you will need a few basic tools:

- Phillips head screwdriver*, or
- 1/4" nut driver*

* Power screwdriver or power drill with #2 Phillips attachment or 1/4" nut driver attachment may be used.

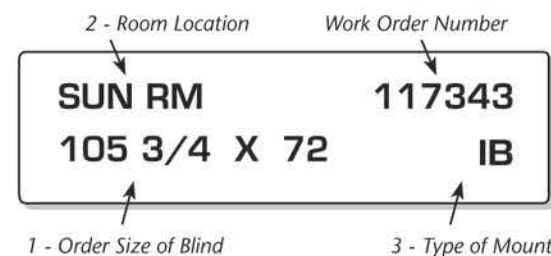
Important Note: Screws provided are for installation into wooden frames only. For metal surfaces, use suitable sheet metal screws and pre-drill holes. For concrete, stone, brick, or tile, use a carbide drill and appropriate anchors and screws. For wall-board or plaster, use hollow wall anchors and/or longer screws to reach framing or stud. In all cases, follow the fastener manufacturer's recommendations.

C Sorting Your Blinds

Inside the headrail of your Great Windows™ Roller Shades, there is a sorting label. This appears as seen below:

On this label, you will recognize:

1. Order size of the blind
2. Room location (If not present, info not given at time of order)
3. Whether the blind was ordered for inside mount (IB), or outside mount (OB)

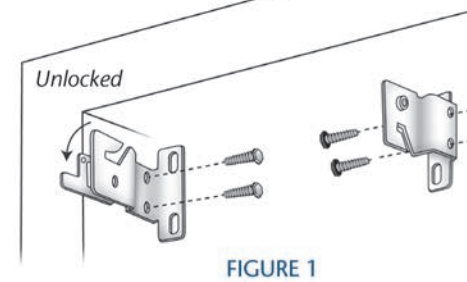


D Bracket Installation Spring Tension Roller Shades

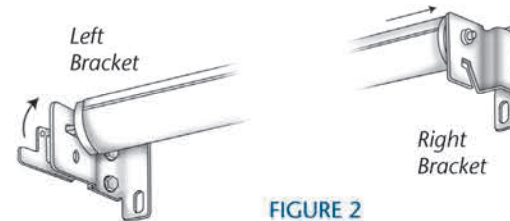
Inside Mount

1. Mount the left bracket, slotted end up. The right bracket is mounted reversed (Fig. 1). (For reverse roll, mount brackets reversed, see Fig. 3)
2. Make sure bracket is unlocked by rotating lock forward (Fig. 1).
3. Put the shade into the brackets. Insert round end pin into right bracket first. Insert left end into slot on left bracket (Fig. 2). Lock bracket.

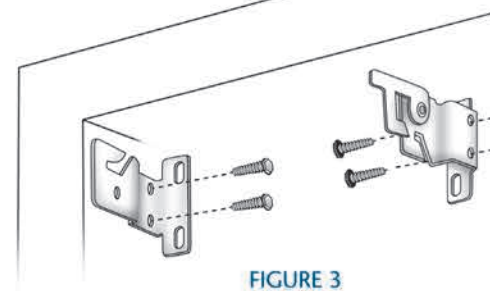
Standard Inside Mount
Allows the fabric to fall from the back of the roll and closest to the window.



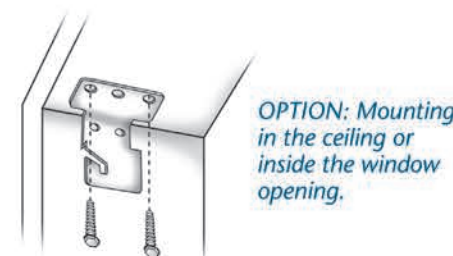
Insert pin into right bracket first. Lock bracket once shade is in place.



Reverse Inside Mount
Allows the fabric to fall from the front of the roll and closest to the room.



Important Note: Make sure your mounting surface is level. If it is not level, the shade will roll up crooked.

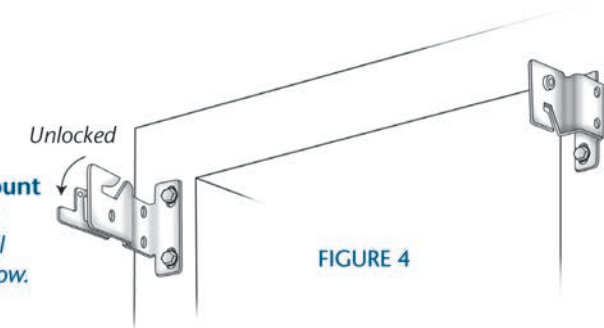


OPTION: Mounting in the ceiling or inside the window opening.

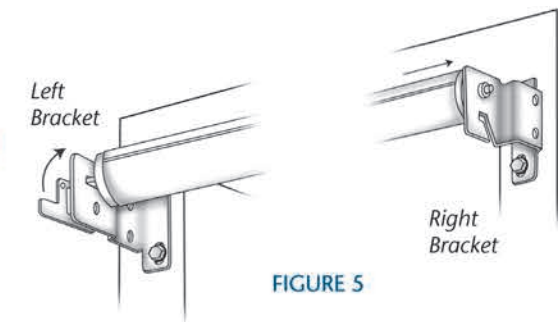
Outside Mount

1. Position left bracket at the edge of the left trim. Mount the left bracket slotted end up. The right bracket is mounted reversed (Fig. 4). For reverse roll, mount brackets reversed (Fig. 6).
2. Make sure bracket is unlocked by rotating lock forward (Fig. 4).
3. Put the shade into the brackets. Insert round end pin into right bracket first. Insert left end into slot on left bracket (Fig. 5). Lock bracket.

Standard Outside Mount
Allows the fabric to fall from the back of the roll and closest to the window.



Insert pin into right bracket first. Lock bracket once shade is in place.



Reverse Outside Mount
Allows the fabric to fall from the front of the roll and closest to the room.

