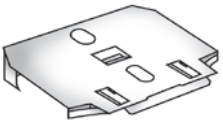


Next Day Blinds

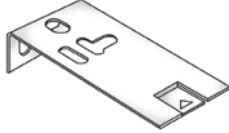
Installation Instructions | Roman Shades Lift Systems: for Cordlock

A Getting Started

The Parts: Before starting, please remove and identify the following parts required for the installation of your shades:



Mounting Brackets



Valance Brackets



Installation Screws
(2 Per Bracket)



Bracket Attachment Screw



Hold Down Brackets
(Optional)



Extension Brackets
(Optional)

B The Tools

To install your Next Day Blinds Roman Shades, you will need a few basic tools:

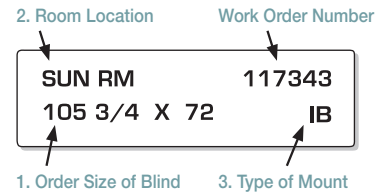
- Measuring tape
- Power drill with 1/4" hex head attachment and/or Phillips Head Screwdriver
- Pencil

Important Note: Screws provided are for installation into wooden frames only. For metal surfaces, use suitable sheet metal screws and pre-drill holes. For concrete, stone, brick, or tile, use a carbide drill and appropriate anchors and screws. For wallboard or plaster, use hollow wall anchors and/or longer screws to reach framing or stud. In all cases, follow the fastener manufacturer's recommendations.

C Sorting Your Blinds

On top of the headrail of your Next Day Blinds Roman Shades, there is a sorting label. On this label, you will recognize:

1. Order size of the blind
2. Room location (If not present, info not given at time of order)
3. Whether the blind was ordered for inside mount (IB), or outside mount (OB)



D Bracket Spacing and Installation

Shades are shipped with the required number of brackets for proper installation. End brackets should be located with centerlines 2 1/2" from each end. Depending on the width of the shade, additional brackets may be necessary evenly spaced between the two end brackets.

Using the Installation Bracket as a template, measure and mark the center lines. When mounting brackets, make sure they are in line and level.

Optional: On shades 84"- 96" wide it is recommended to use a second bracket located next to the end bracket at the Cordlock (Fig. 1).

Shade Width	Number of Brackets
To 40"	2
40" To 72"	3
72" To 84"	4
84" +	5

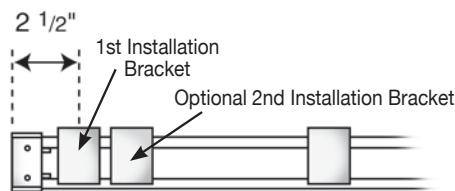
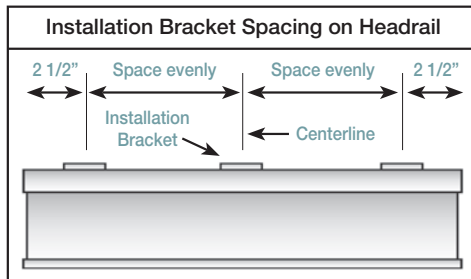


Figure 1

Inside Mount (IB)

1. Valance Brackets are mounted flat against the top sill surface. Using the Installation Screws align the Mounting Bracket with the Valance Bracket and drill the Installation Screws into the top sill (Fig. 2).
2. Mounting a flush headrail requires a flat surface with a minimum depth of 1 7/8" (Fig. 3). Fully recessing the shade with the valance requires a flat surface with a minimum depth of 3". Shallow mounting requires 3/4" minimum.

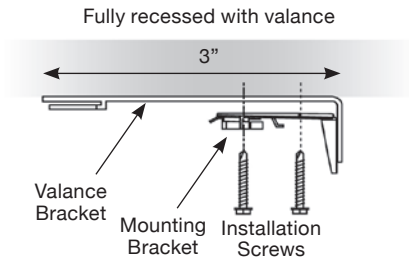


Figure 2

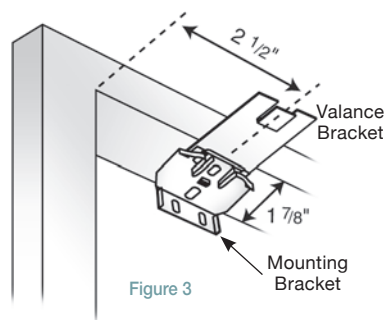


Figure 3

Outside Mount (OB)

1. A minimum 1/2" high surface is required for an outside mount (Fig. 4).
2. Mount the Valance Bracket and Mounting Bracket to the window molding or the wall above the window using the Installation Screws (Fig. 5).

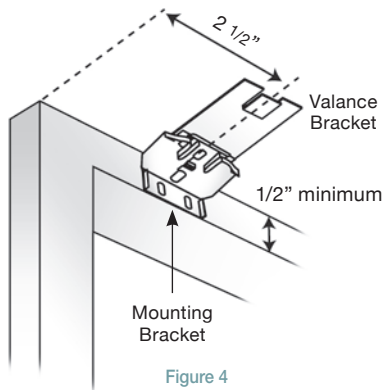


Figure 4

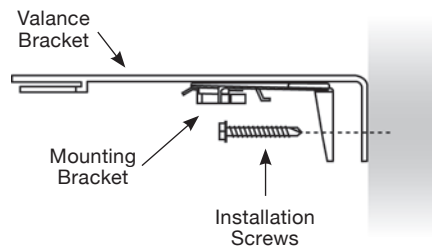


Figure 5

E Extension Bracket Installation (Optional)

Optional Extension Brackets are used to project the back of the shade up to 3" from the mounting surface.

1. Mount the Extension Bracket to the mounting surface using the provided screw (Fig. 1).
2. Attach the Installation Bracket and Mounting Bracket to the Extension Bracket using the nut and bolt provided (Fig. 2).

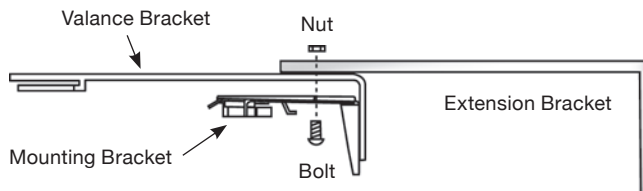
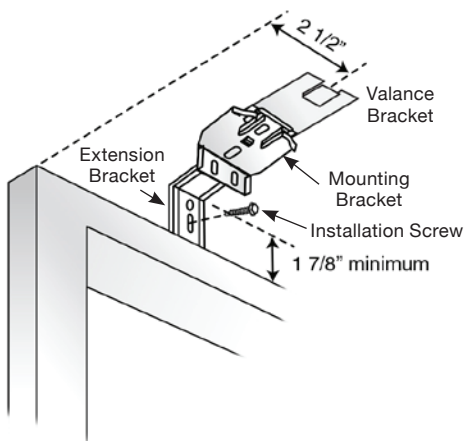


Figure 2

F Hanging the Shade

1. Unwind the cord from the shade but keep the rubber band around the shade stack.
2. Hold the shade up near the brackets and insert the front clip of the bracket into the front groove of the rail (Fig. 1).
3. Make sure the shade is centered in the window opening.
4. Push the rail back and up until the back clips of the bracket are inserted in the back groove of the rail (Fig. 2).
5. To remove shade, reverse procedure.

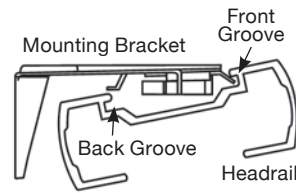


Figure 1

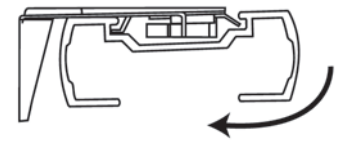


Figure 2

G Valance Installation

1. Align the valance with the Valance Brackets (Fig. 1).
2. Gently push at each bracket location until the valance is fully seated (Fig. 2).

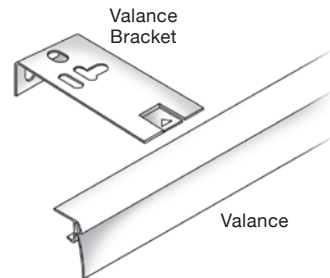


Figure 1

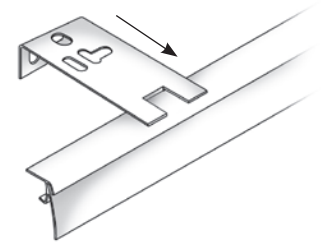
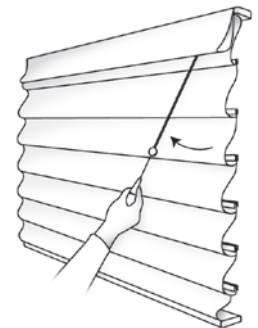


Figure 2

H Cordlock Operation

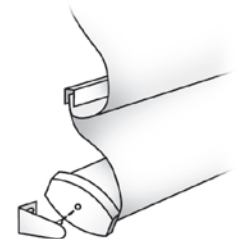
1. To raise or lock shade, pull the cord down and outward toward the outside of the shade.
2. To lower or release the shade, pull the cord down and inward.



I Hold Down Bracket (Optional)

Optional Hold Down Brackets are mounted with the supplied screws.

1. With the shade at its proper drop, place the pin of each Hold Down into the hole of each End Cap and mark the screw holes.
2. Make sure the pins are level and aligned.
3. Raise the shade, then screw the Hold Down Bracket into the mounting surface.



Child Safety

At Next Day Blinds child safety is first. All of our products are fitted with the highest quality components that provide the most complete safety measures in the industry. Make free-hanging cords inaccessible to young children by securely wrapping cords into cleats when not in use. Cord cleats are available free of charge from Next Day Blinds upon request – just ask.



Cleaning and Care

In order to keep your window treatments looking new, follow the recommended methods for care and maintenance. Regular care will result in better appearance and performance from your window coverings.

Dusting	Hand-Held Vacuum	Compressed Air	Hair Dryer	Spot Cleaning	Water Immersion	Ultrasonic Cleaning
X	X					X
O	O					

PLEATED VINES, VERANADA, BELLINI = X / LINEN = O