

Next Day Blinds

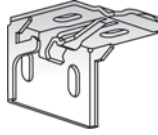
Installation Instructions | Roller Shades Lift Systems: for Premium Cordless

A Getting Started

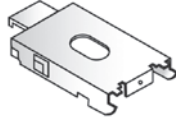
The Parts: Before starting, please remove and identify the following parts required for the installation of your shades:



Hex Head Screws
(1 1/4")



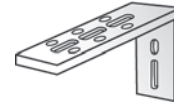
Mounting Brackets



Mounting Bracket
(no headrail)



Bolts and Nuts
(optional)



Universal Extension
Brackets (optional)



Hold Down Bracket
& Screw (optional)

B The Tools

To install your Next Day Blinds Roller Shades, you will need a few basic tools:

- Phillips Head Screwdriver*, or 1/4" nut driver*
- Measuring tape
- Pencil

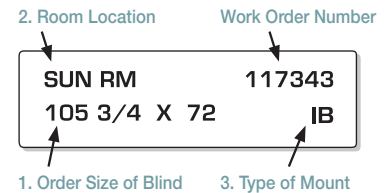
* Power screwdriver or power drill with #2 Phillips attachment or 1/4" nut attachment may be used.

Important Note: Screws provided are for installation into wooden frames only. For metal surfaces, use suitable sheet metal screws and pre-drill holes. For concrete, stone, brick, or tile, use a carbide drill and appropriate anchors and screws. For wallboard or plaster, use hollow wall anchors and/or longer screws to reach framing or stud. In all cases, follow the fastener manufacturer's recommendations.

C Sorting Your Blinds

On top of the headrail of your Next Day Blinds Roller Shade, there is a sorting label. On this label, you will recognize:

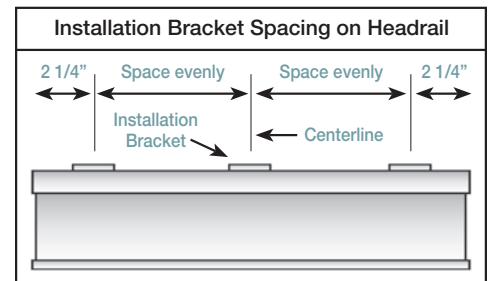
1. Order size of the blind
2. Room location (If not present, info not given at time of order)
3. Whether the shade was ordered for inside mount (IB), outside mount (OB), or side mount (EM)



D Bracket Spacing

The brackets should be installed where the centerlines are noted in the illustration. Depending on the width of the roller shade, necessary additional brackets may be evenly spaced between the two end brackets.

Shade Width	Number of Brackets
To 40"	2
40" To 72"	3
72" To 84"	4
84" To 96"	5



E Bracket Installation

Inside Mount (IB)

No Headrail Version: Make sure that the screw head is fully recessed inside the clear plastic part of the mounting bracket (Fig. 1).

Headrail Version: Refer to Figure 2 for bracket installation details.

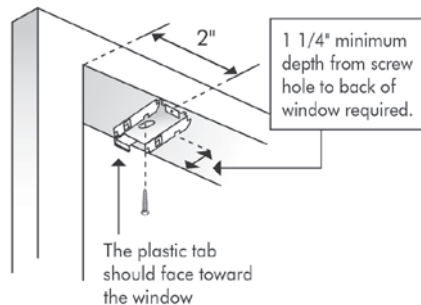


Figure 1
No Headrail Version

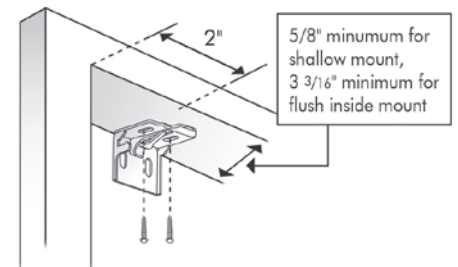


Figure 2
Headrail: Smooth or Fabric Insert

Outside Mount (OB)

Important Note: Make sure your mounting surface is level. If the headrail does not sit level, the fabric will not roll up evenly which could damage the edges of the fabric.

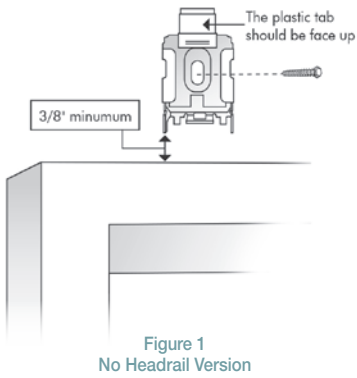


Figure 1
No Headrail Version

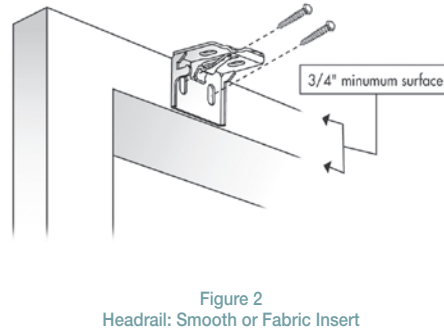


Figure 2
Headrail: Smooth or Fabric Insert

Outside Mount (OB) with Extension Brackets (Optional)

Extension Brackets are used to project the back of the shades up to 2 1/2" from the mounting surface (Fig. 1). Attach the Standard Mounting Bracket to the Extension Bracket with the nut and bolt provided (Fig. 2).

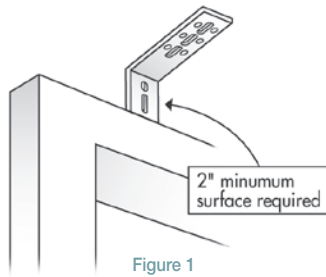


Figure 1

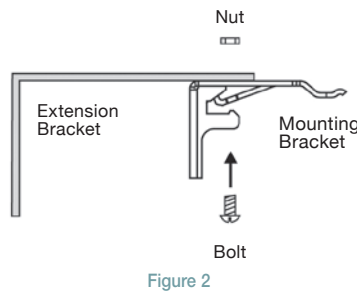


Figure 2

Side Mount (EM)

Measure from window sill up to desired mounting position on each side of the window frame. Mark position. Mount Side Mount Brackets on each side of window frame as shown (Fig. 1). Make sure to confirm that headrail will sit perfectly level. Once Side Mount Brackets are installed and properly positioned, attach the Standard Mounting Brackets using the nuts and bolts provided (Fig. 2).

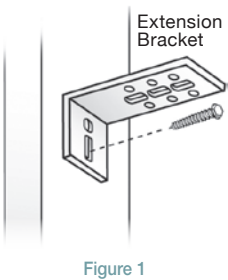


Figure 1

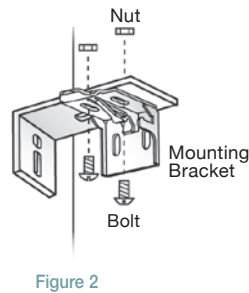


Figure 2

F Installing Your Roller Shades into the Brackets

No Headrail Version

Inside Mount or Extension Bracket

Hook the rail onto the front of the bracket, push back on spring and rotate it until the back of the rail securely snaps into place (Fig. 1).

Outside/Wall Mount

Hook the rail onto the top of the bracket, push down on the spring and rotate it until the back of the rail securely snaps into place (Fig. 2).

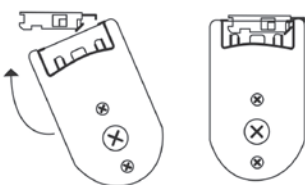


Figure 1 (Side View)

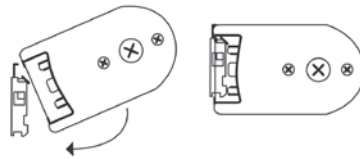
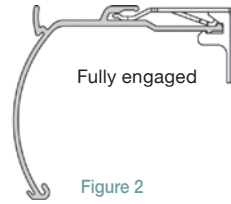
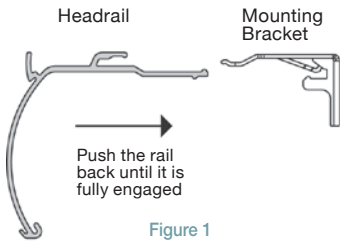


Figure 2 (Side View)

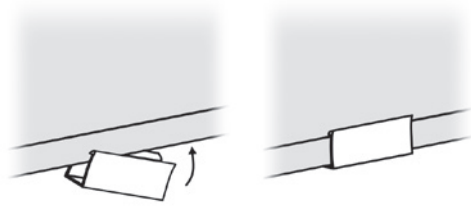
Headrail: Smooth or Fabric Insert

Push the headrail back until it is fully engaged (Fig. 1 and Fig. 2).



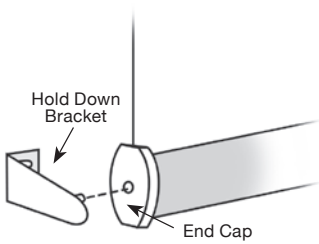
G Installing Handles

Install Grip: Pry open the bottom rail grip with your thumb. Push the grip onto the center of the bottom rail as shown. Raise shade and set the upstop where desired, making sure the grip does not hit the fabric roll.



H Installing Hold Down Bracket (Optional)

Hold Down Brackets are mounted with supplied screws. With the shade at its proper drop, place the pin of each Hold Down into the hole in each End Cap and mark the screw holes. Make sure the pins are level and aligned. Raise the shade, then screw the Hold Down Bracket into the mounting surface.



Child Safety



Next Day Blinds is committed to incorporating the latest and most effective child-safe technologies in our products. Without any exposed cording this product offers the assurance you need for window coverings in rooms accessed by young children.

Cleaning and Care

In order to keep your window treatments looking new, follow the recommended methods for care and maintenance. Regular care will result in better appearance and performance from your window coverings.

Dusting	Hand-Held Vacuum	Compressed Air	Hair Dryer	Spot Cleaning	Water Immersion	Ultrasonic Cleaning
X	X	X	X	X		

www.NextDayBlinds.com | 800.963.9832